



I.P.O.M IRAN PASH

The Producer of All kinds
of Polyethylene Products



www.iranpash.ir



IRANPASH Company is the manufacturer of the all Integrated Polyethylene Tanks in a variety of styles including vertical, horizontal, cubic, conic, sprayer, understairs, round, Slimline and rectangular configurations.

Horizontal Tanks



Conical Tanks



Vertical Tanks



They are in different capacity ranges from 50 to 66000 liters that can be modified with fittings, baffles, holes and more to meet your specific requirements for the storage and transportation of Drinking Water, Oil Derivatives, Chemicals, Acids and Food.



ISO 9001: 2008



IRAN PASH

Fast Boat



IranPash is one of the main centers for manufacturing various types of polyethylene boats, such as passenger, recreational, canoe, catamaran and fast boats



All boats are with the possibility of engine installation.

Iranpash is proud to be the first and only manufacturer of the world largest polyethylene boats.



The first prefabricated panels in the world made of polyethylene and injected polyurethane foam. It's your source for quick and affordable homes.

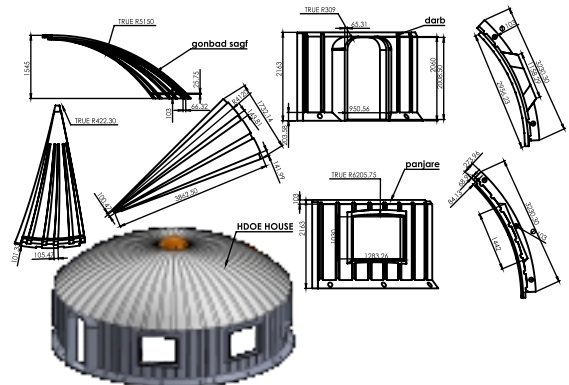
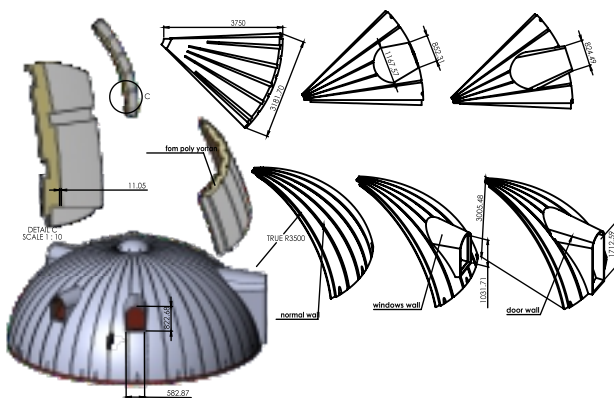
Prefabricated PE House



Homes



Applicable as: temporary housing for evacuees from natural disasters like earthquakes, floods, and storms... , having the experience of floating life on the water by the prefab floating homes, restaurants, cafes. operation as poultry and livestock on the field, staff quarters, farmhouse, clinics, laboratories, security cabins, etc



Pros: Anti-seismic: sturdy enough, High Durability and life span. Ultra thermal and acoustic insulation with efficient and energy-saving walls .Light and portable to be easily packed and transported to the new location. Quick and quite simple on assembling pieces. Customizable in colors and the number of doors and windows. Very affordable and cost-effective in contrast with other materials for this house.



ISO 9001: 2008



IRAN PASH

One of the successful ways of farming and breeding the fish is the usage of polyethylene cages and pools made by PE pipes, brackets and buoyant in lakes, dams and offshores. This method is one of the lowest costly fish farming method with many benefits, such as the capability of breeding various fish, transferring to other side of water, and the number of fish is easily visible and in case of disease, we can take into action quickly.



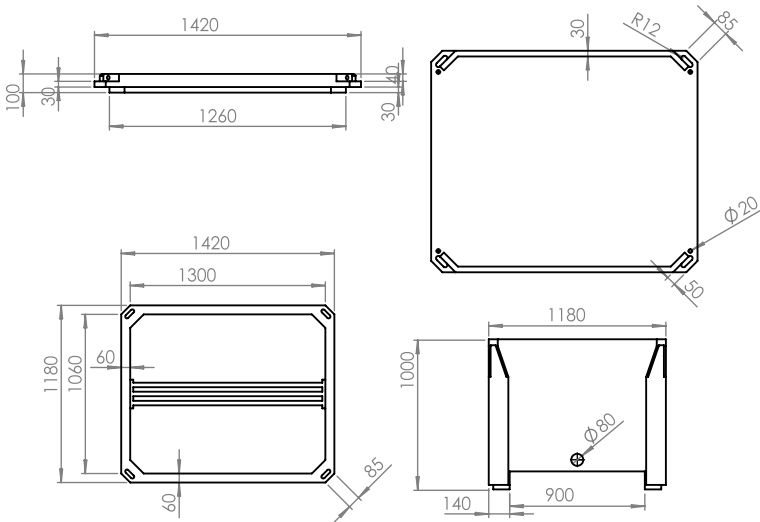
Iranpash Company is an experienced manufacturer of the various round, four-angle polyethylene fish farming cages and pools that are fabricated by PE floats, docks, pipes, fittings, manholes and brackets with the highest standards of quality and safety, according to customer's requirements in a variety of sizes and dimensions.



IRANPASH specialized chests are hygienic, strong, durable and easy to clean. Their excellent insulation and UV stabilization maintain uniform temperature and ensure freshness of contents over a long duration and that is why they are perfect choice for storage and transportation of aquatics, pharmaceutical products and any items that can be perishable.



Double walled foam filled tubs



This unit is the manufacturer of all kinds of double walled foam filled food grade polyethylene boxes and tubs that are designed in a variety of sizes and capacities in 100 to 2000 liters.



ISO 9001: 2008



IRAN PASH

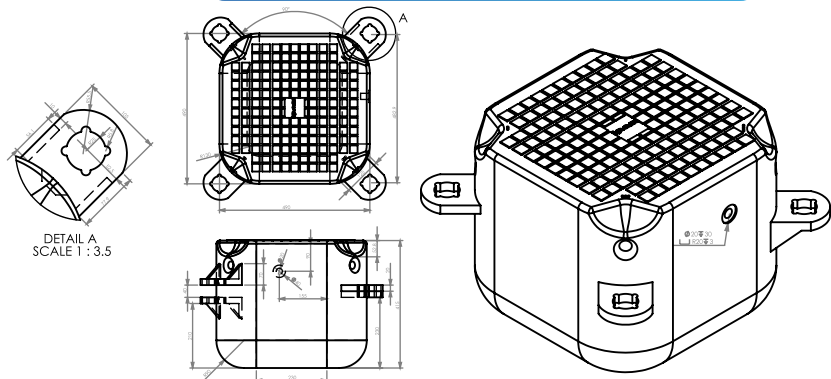
Iranpash floating docks have a high resistance against atmospheric changes, sunlight and corrosives, high impact resistance that can bear the capacity about 376 kg in each m2. They are easily connected by special bolts ideal for any specific requirements like floating walkways, platforms to commute and transportation. Our floating jetties offer a safe, flexible solution for having easy access to deeper water, stones or other difficult areas, ideal for swimming platforms, mooring space and those who are interested in fishing or simply sitting by the water.

Floating Docks



Iranpash floating docks are classified in 4 main models:

1. Shatterproof floating docks.
2. Floating docks with aluminum coating.
3. Floating docks with Wood Plast coverage.
4. Floating docks in an ordinary model.





Iranpash is the manufacturer of various polyethylene urban furniture with the aim of providing necessary urban facilities and beautification of the cities.

Urban furniture includes a variety of products, such as different types of tables and chairs, flower pots and planters, litter bins, pergola, advertisement panel and many decorative items.





ISO 9001: 2008



IRAN PASH

We provide a full line of durable traffic safety equipments such as traffic cones, barrels, new jersey, car stopper, traffic signs, elements and indicators that all meet different applications in transportation or construction safety needs.

TRAFFIC
SAFETY
PRODUCTS





various play sets and equipment such as ROCKERS, WATER SLIDES, SWINGS, BASKETBALL STAND, CHESS, MINI GOLF, CENTIPEDE TUNNEL are produced for the better usage of any free space for children and creating a fun and happy environment for them. the best quality play sets along with different added components with timely and appropriate services are provided for you at this unit.





ISO 9001: 2008



IRAN PASH

Iranpash Sprayer Tanks are manufactured from HDPE with U.V inhibitors and available in several different volumes in 100 to 2000 liters. They are designed as portable supply tanks that are Suitable for Agricultural/Industrial Water and Chemical Storage. These tanks are equipped with pump and have bottom mount inserts and are able to have a complete drain-out of fluids. They are chemically resistant in order to contain a variety of liquid fertilizers with translucent walls for level viewing and equipped with gallon indicators.

Agricultural implements



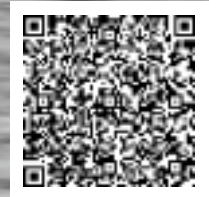
The vast variety of agricultural equipment including of sprayer tanks, tractor fenders, mudguards, canopies, etc.. are manufactured at this unit.

IRANPASH Company based in Urmia city is a recognized manufacturer of the Greatest Integrated Polyethylene Tanks and other related PE products. It was established in 1988 with the management of Dr. Mir Ghasem Mirzadeh. This corporate's manufactured productions with over 750 diversions are classified into 10 main categories as following:

- 1- Various kinds of polyethylene tanks in different configurations and capacity ranges from 50 to 65000 liters.
- 2- Agriculture and Industrial Components like; tractor and diesel machine fenders, sprayers, train water tank, informatics chests, tractor shields, various types of polyethylene and brass fittings, motorcycle windproof, etc.)
- 3- Types of tubs in different shapes and capacities from 60 to 30000 liters.
- 4- Various boats, (fast boat, catamaran, pedal and rowboat, canoe, ferry, boat for kids)
- 5- Marine and fishery equipment such as floating ducks (normal, shatterproof, polywood alu cover) floating signs and indicators (buoy), fish aeration and feeder system, fish juveniles incubators, rescue rings, manholes, double-walled chests and fish farming pools and cages
- 6- Urban furniture such as PE tables, chairs, planters, pots, litter bins, decorative designs, in high diversions.
- 7- Traffic safety signs, elements and indicators.
- 8- Variety types of overt and covert waterslides
- 9- Playground equipment including play collections, swings, rockers, slides and pergola
- 10- Prefabricated PE houses and lavatories. Iranpash Company is a member of the world rotational molding association and recorded in the Guinness World Book. This company is ready to welcome all your new ideas and cooperations in this respect.



I.P.O.M
IRAN PASH



Factory : 5 k.m Airport Road , URMIA - IRAN / Fax: +98 44 3272 0940
Tel: +98 44 3254 4300 / +98 44 3254 4400 / +98 3254 4500
+98 44 3272 0939 / +98 44 3272 0938 / +98 44 3272 0929

HQ : No.9 shaghayegh alley , sattarkhan Ave , Tehran / IRAN

Tel : +98 21 6650 2419 / +98 21 6650 2687 / +98 21 6650 5530

P.O.Box : 14565/346   +98 902 272 0929  iranpashco@gmail.com